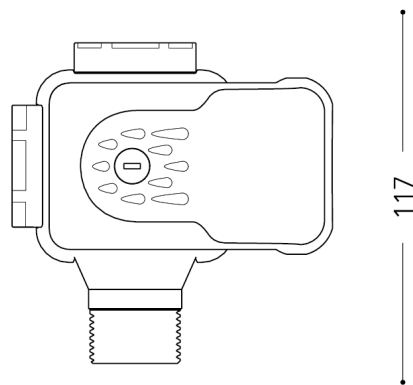
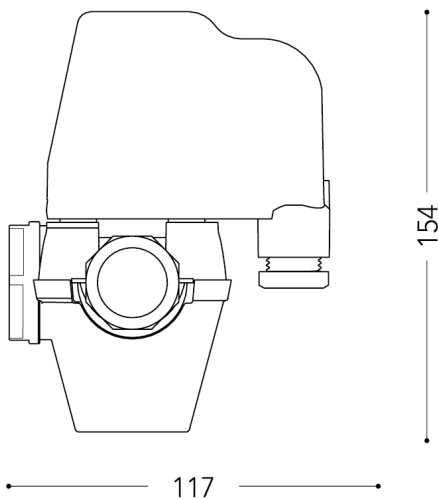


TECHNICAL DATA	PM5-3W
Carico Load	250V~16(10)A
Pressione max Max pressure	5 bar
Conessioni Connections	1"M x 1"F x 1"F
Manometro Pressure gauge	Ø 40 mm 0-6 bar / 0-86 PSI
Temperatura del fluido max Max fluid temperature	55°C



PM5-3W

